

# TRANSFLUID



# TRANSFLUID

**trasmissioni industriali**



**drive with us**

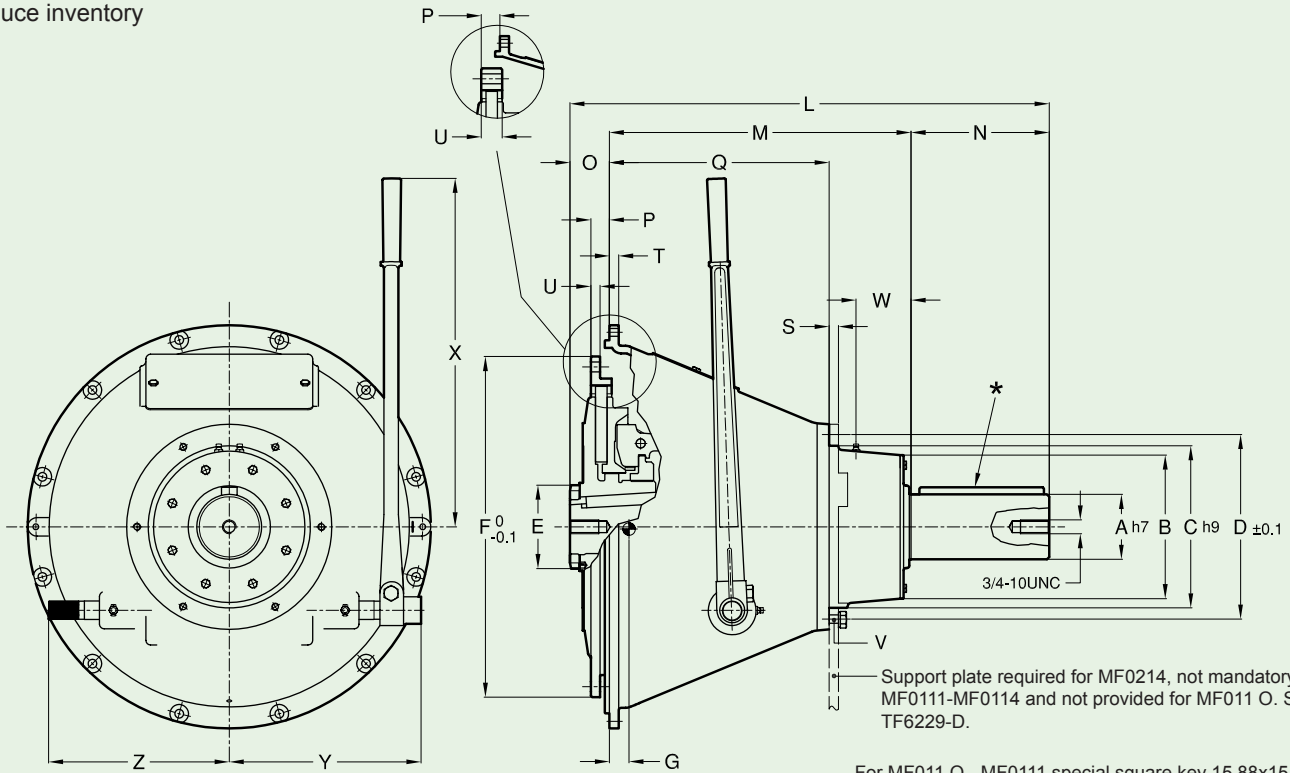
**MFO**  
**MECHANICAL POWER TAKE OFF**

The **MFO** mechanical power take-off consists of a lever actuated clutch with a shaft and bearings mounted in a rigid cast housing. It is designed for inline and sload applications for internal combustion engines with standard SAE industrial flywheel/flywheel housing dimensions.

**With the exception of MFO 110 all remaining models are assembled with KEVLAR® DISCS for heavy duty and torsionally active applications.**

MFO mechanical power take-offs will allow:

- to simplify installation time (no pilot bearing alignment required)
- to increase uptime and engine life
- to reduce inventory



\* For MFO11 O - MFO111 special square key 15.88x15.88x76.2  
For MFO114 - MFO214 key as per ANSI B92.1 USAS square

⇒ Dimensions (mm)

Size	SAE housing size	SAE flywheel size	A	B	C	D	E	F	L	M	N	O	P	Q	S	T	U	V		W	X	Y	Z
																		Nr.	Dia				
MFO110	4	10"	57.15	146.05	165.1	-	58	314.33	415.93	251.6	96.84	67.49	53.8	159.37	9.53	11.11	22.23	-	-	66.83	313.97	255.59	247.65
MFO111	3	11 1/2"	57.15	146.05	158.75	184.15	58	352.43	466.17	300.66	101.6	63.91	39.6	183.36	12.7	11.11	22.23	6	10.5	96.28	314.88	255.59	247.65
MFO114	1	14"	76.2	171.45	190.5	222.25	85	466.73	530.71	348.36	128.27	54.08	25.4	250.83	12.7	12.7	12.7	6	13.5	65.88	476.46	262.73	247.65
MFO214			88.9	196.85	222.25	251.62	85		656.83	413.46	189.31	54.06		403.14	12.7	12.7	12.7	6	13.5	75.41	477.25	254.79	247.65

Size	G CENTER GRAVITY	MAX SPEED rpm	MAX INPUT TORQUE Nm	WEIGHT kg
MFO110	78	2800	604	56
MFO111	86	2500	770	74
MFO114	111	2300	2045	125
MFO214	148	2300	4089	167

**For permissible radial loads apply Transfluid**

- No installation related engine thrust bearing damage
- Equipment with ball-bearing engagement collars
- No direct loading to engine crankshaft enhances life of engine bearings
- Dual spherical roller main bearing design
- Driving rings are nodular iron or steel

DIMENSIONS ARE SUBJECT TO ALTERATION WITHOUT NOTICE

**CHINA**  
TRANSFLUID BEIJING TRADE CO.LTD  
101300 Beijing  
Ph. +86.1060442301-2  
Fax +86.1060442305  
tbtcinfo@sina.com

**FRANCE**  
TRANSFLUID FRANCE s.a.r.l.  
38110 Rochetoirin  
Ph. +33.9.75635310  
Fax +33.4.26007959  
tfrance@transfluid.it

**GERMANY**  
TRANSFLUID GERMANY GmbH  
D-48529 Nordhorn  
Ph. +49.5921.7288808  
Fax +49.5921.7288809  
tfgermany@transfluid.it

**RUSSIA**  
TRANSFLUID OOO  
143100 Moscow  
Ph. +7.495.7782042  
Mob. +7.926.8167357  
tfrussia@transfluid.it

**U.S.A.**  
TRANSFLUID LLC  
Auburn, GA 30011  
Ph. +1.770.8221.777  
Fax +1.770.8221.774  
tfusa@transfluid.it

Global web site: [www.transfluid.eu](http://www.transfluid.eu) • E-commerce web site: [www.buy-transfluid.com](http://www.buy-transfluid.com)

TRANSFLUIDS.p.A. • Via Guido Rossa, 4 • 21013 Gallarate (VA) Italy • Tel. +39033128421 • Fax +3903312842911 • [info@transfluid.it](mailto:info@transfluid.it)  
1707 - 375 GB